

Timetric



24 KV Indoor Vacuum Circuit Breaker

If you interested in high-quality Timetric 24 KV Indoor Vacuum Circuit Breaker products, please contact with us. We follow the quality of rest assured that the price of conscience, dedicated service. We have been specialized in High voltage equipment for many years.

Product Description

Timetric 24 KV Indoor Vacuum Circuit Breaker Introduction

If you interested in high-quality Timetric 24 KV Indoor Vacuum Circuit Breaker products, The vacuum circuit breaker can be divided into fixed type and car type, the overall structure adopts the form of operating mechanism and arc extinguishing chamber before and after arrangement, the main circuit part is three-phase floor structure, the vacuum arc extinguishing chamber is vertically installed in a tubular insulation cylinder, the insulation cylinder is made of epoxy resin by APG process casting. Therefore, it can especially creepage and reduce the accumulation of dust on the surface of the arc extinguishing chamber. It can not only prevent the vacuum arc extinguishing chamber from being affected by external factors, but also ensure that even in the humid heat and serious pollution environment, it can also show a high resistance state to the voltage effect.

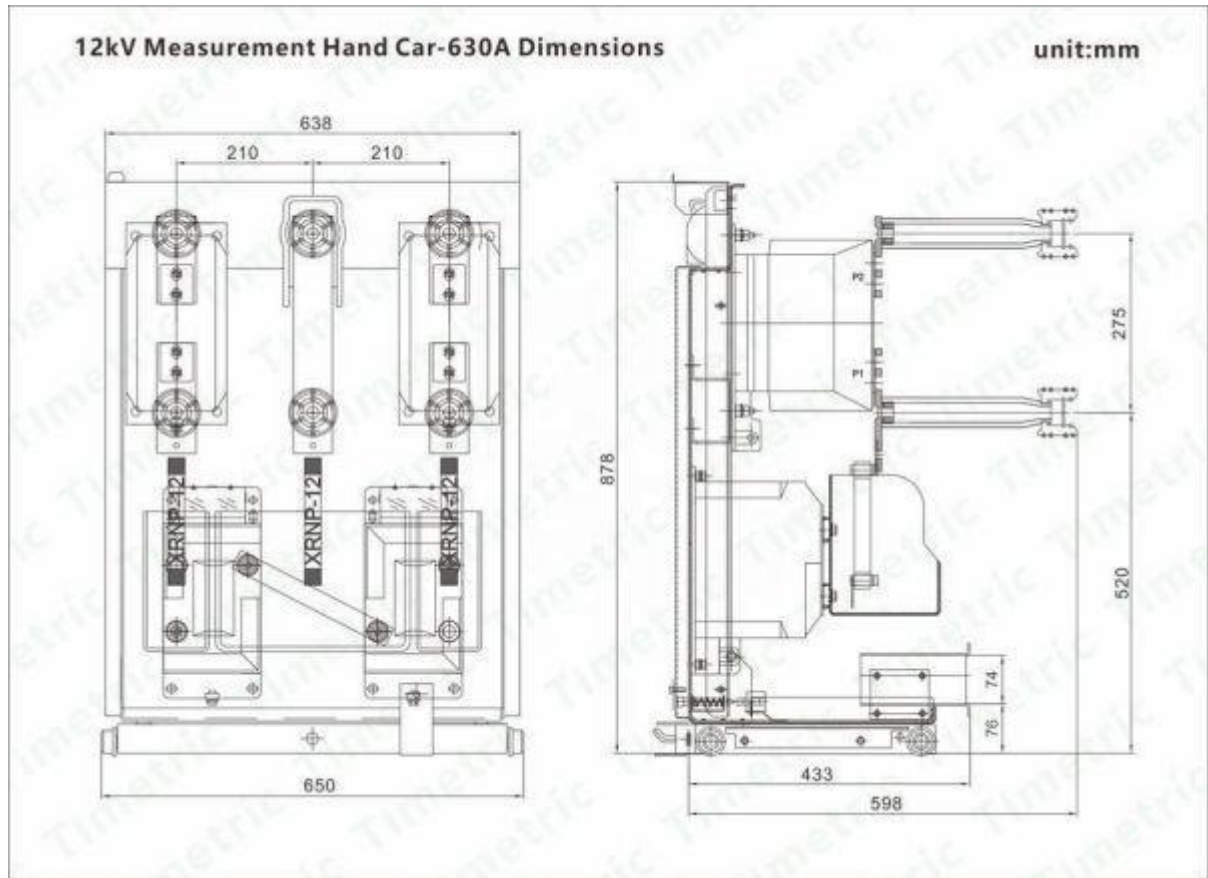
Timetric



Timetric 24 KV Indoor Vacuum Circuit Breaker Parameter (Specification)

Colour	Silver gray、 Red
Shape	Combination
Size	customized
Rated Voltage	12/24KV
Rated Current	630A, 1250A,2000A,3150A
Number Of Poles	3
Characteristic	Safe and Stable
Material	Iron, Red copper, Epoxy resin

Surface Treatment	Plastic spraying
-------------------	------------------



Timetric 24 KV Indoor Vacuum Circuit Breaker Structure features

The main components on the handcart are primary electrical equipment such as circuit breakers and transformers. It has three

positions in the switchgear: work/test/disconnect.

Timetric



Timetric 24 KV Indoor Vacuum Circuit Breaker Operating conditions

Temperature: $-10^{\circ}\text{C} \sim +40^{\circ}\text{C}$ Relative humidity: Daily mean relative humidity not more than 95%; monthly mean relative humidity not more than 90% Seismic intensity: Not more than Level 8. Saturated vapor pressure: daily mean pressure not more than 2.2kPa; monthly mean pressure not more than 1.8Kpa Altitude: ≤ 1000 m (Otherwise in special cases) This device should be installed in a place free of fire, explosion, severe dirt, chemical erosion and severe vibration.