

Timetric



24kv Indoor Vacuum Circuit Breaker

You can rest assured to buy Timetric 24kv Indoor Vacuum Circuit Breaker from our factory and we will offer you the best after-sale service and timely delivery. Wenzhou Shuyi Import and Export Co., Ltd. has been the quality of product as the root of business survival, the quality of service as the bridge to our success. We sincerely hope to establish business contacts with our customers, in the fierce competition in the market, can be firmly based and great achievements, should thank the majority of customers and colleagues for their support and love.

Product Description

Timetric 24kv Indoor Vacuum Circuit Breaker Working principle of vacuum circuit breaker

You can rest assured to buy Timetric 24kv Indoor Vacuum Circuit Breaker from our factory and we will offer you the best after-sale service and timely delivery. Compared with other circuit breakers, the working principle of 24kv Indoor Vacuum Circuit Breaker is different. There is no arc extinguishing medium in vacuum, so that the arc is quickly extinguished. Therefore, the distance between the dynamic and static contacts of the circuit breaker is very small. The 24kv Indoor Vacuum Circuit Breaker is generally used in the relatively low voltage level of the plant electricity configuration! With the rapid development of power system, 24kv Indoor Vacuum Circuit Breaker has been widely produced and used in our country. For the maintenance personnel, it is an urgent problem to improve the knowledge of vacuum circuit breaker, strengthen the maintenance and make it run safely. Taking as an example, this paper briefly explains the principle and maintenance of 24kv Indoor Vacuum Circuit Breaker.

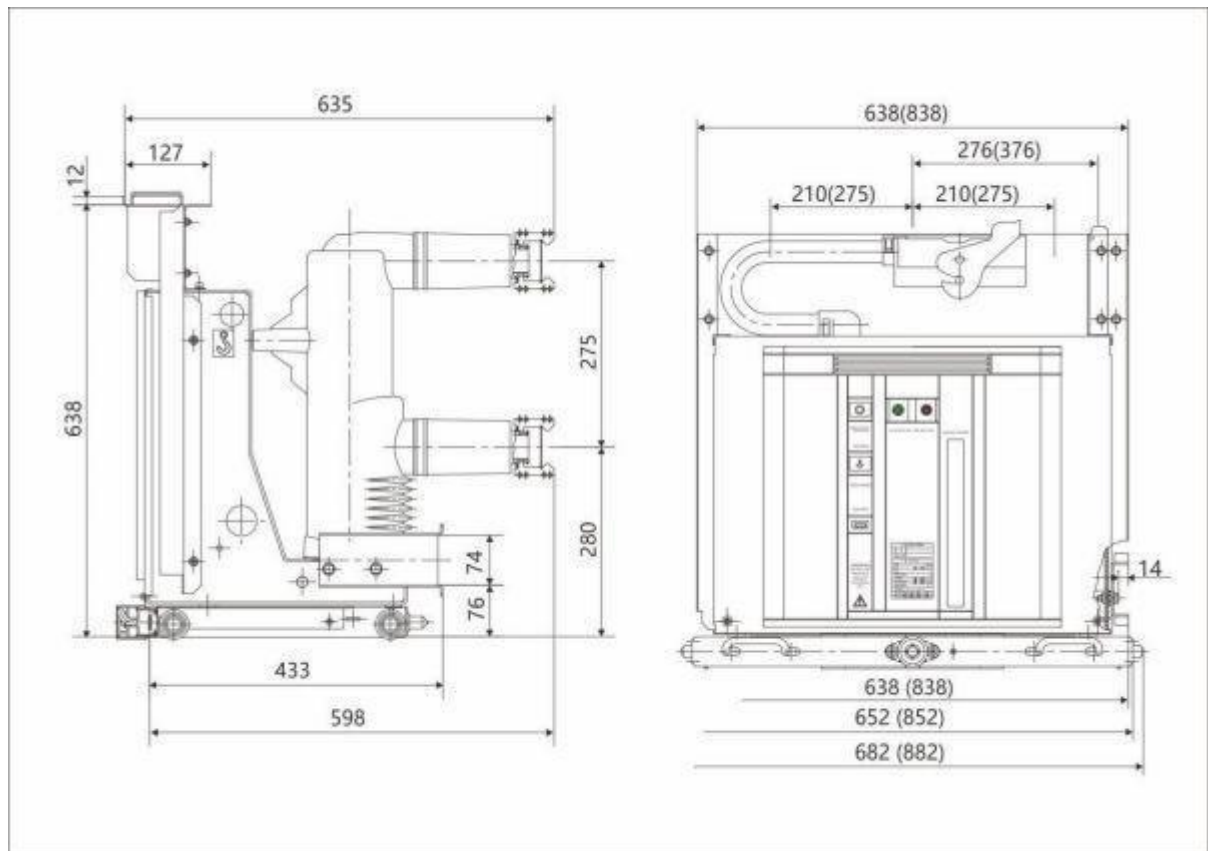




Timetric 24kv Indoor Vacuum Circuit Breaker Parameter (Specification)

Colour	Silver gray、Red
Shape	Combination
Size	customized
Rated Voltage	12/24KV
Rated Current	630A, 1250A,2000A,3150A,4000A
Number Of Poles	3
Characteristic	Safe and Stable
Material	Iron, Red copper, Epoxy resin

Surface Treatment	Plastic spraying
-------------------	------------------



Timetric 24kv Indoor Vacuum Circuit Breaker Structure features

- 1.This model integrates operation mechanism with the circuit breaker, well arranged, looking beautiful and compact.
- 2.This model can be operated frequently, able to break and reclose fast many times.
- 3.Two types of installations (fixed or moved) meet the demands of different switchgears.

Timetric 24kv Indoor Vacuum Circuit Breaker Operating conditions:

Temperature: $-10^{\circ}\text{C} \sim +40^{\circ}\text{C}$

Relative humidity: Daily mean relative humidity not more than 95%; monthly mean relative humidity not more than 90%

Seismic intensity: Not more than Level 8.

Saturated vapor pressure: daily mean pressure not more than 2.2kPa; monthly mean pressure not more than 1.8Kpa

Altitude: ≤ 1000 m (Otherwise in special cases)

This device should be installed in a place free of fire, explosion, severe dirt, chemical erosion and severe vibration.



